

GS80

Manual Water-Activated Tape Dispenser

GS80 is designed for small business packaging users, no electricity power needed and a small footprint, easy to start sealing with WAT anytime, anywhere.



Scan for video



Small Footprint



Manual Operation



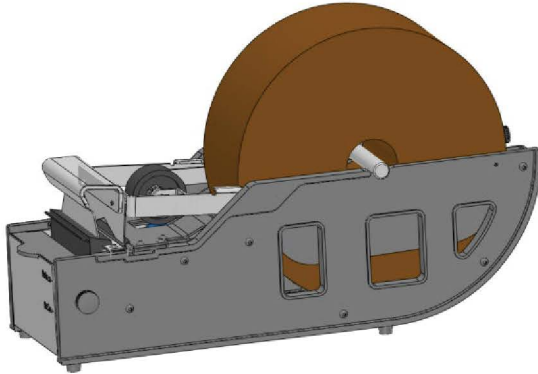
Machine Spec.

Dispensing Speed	Bottle Capacity	Tape Width	Maximum Diameter	Cutting Length	Output Speed	Machine weight	Machine size
Manual Extraction	250ml	40-80mm	220mm	Manual Extraction	Manual Extraction	5.2KG	368*124*132mm

Tape Options

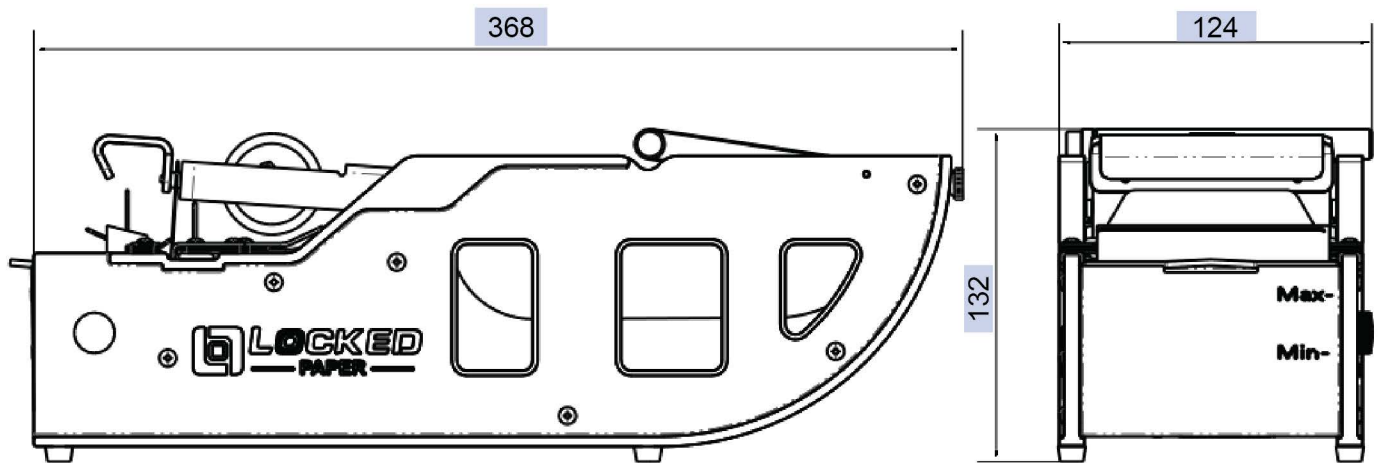
	Paper Weight (gsm)	Reinforcement	With (mm)	Length (m)	Color	Printing
LW805-25137-00	80	5	80	137	0	0
LW604-40150-00	60	4	60	150	0	0
LW700-60150-10	70	0	70	150	1	1
LW800-70200-11	80	0	80	200	1	1
LW900-80230-21	90	0	90	230	2	2
Available Choices	60-100	0/4/5	25-80	137-230	0/1/2	0/1/2
Naming rules	3rd~4th Letter	5th Letter	6th-7th Letter	8th-10th Letter	11th Letter	12th Letter
Remark: the weight suitable for EG100/MG80: 80gsm or above						
Paper Color:			Printing:			
0: Original/original color 1: Original/white color 2: White/white color			0: No printing 1: With printing			

Introduction of GS80 Machine



Information	Parameter
Model	Manual Gummed Paper Tape Dispenser
Net Weight	5.2KG
Machine Dimension(L*W*H)	368x124x132mm
Gross Weight	5.5KG
Package Size(L*W*H)	390x135x135mm
Palletizing	1100X1100mm(L*W) 300 units/plt
Available Tape Gram(gluey)	80g/m ² and above (tapes under 80g/m ² are pending)
Available Tape Width	25~80(mm)
Maximum Tape diameter	200mm

Dimension Diagram of Machine



GRAND SOLUTION SUPPLY (GSS)

ADD: 83/5 Moo. 4 Suksawad Rd., Bangpeng, Prapradeang, Samutprakarn 10130, THAILAND

TEL: +66(0)2 463 4116-7 Ext.8002

MOB: +66(0)8 5443 6543

MAIL: info@grand-ss.com (Sales)
prontima@grand-ss.com (Contact Center)

WEB: WWW.GRAND-SS.COM



GRAND-SS.COM



LINE: @grandss